



IPTA
International Patent
& Trademark Agency

Company **ALUMINERIE BÉCANCOUR INC.**

Address 1, Boulevard des Sources
Deschambault, Québec G0A 1S0

Publication number **WO/2015/011665**
Application number **PCT/IB2014/063356**
Publication date **2015-01-29**
Filing Date **2014-07-23**



IPTA
International Patent
& Trademark Agency

Publication number **WO/2015/011665**
Application number **PCT/IB2014/063356**
Publication date **2015-01-29**
Filing date **2014-07-23**
Company **ALUMINERIE BÉCANCOUR INC.**
Image mark

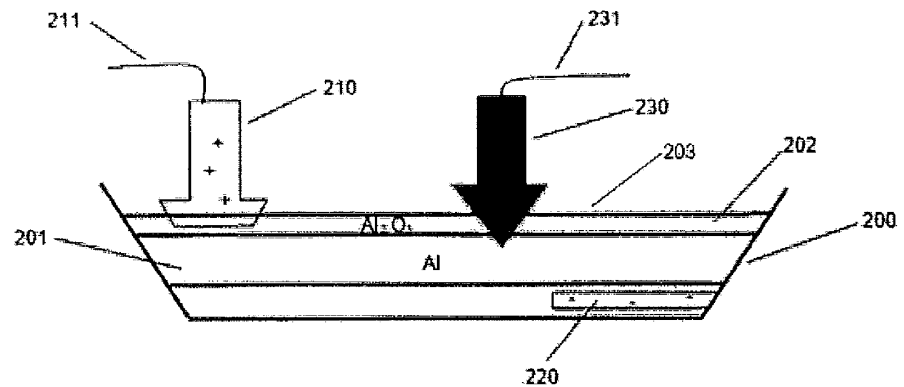


Figure 2

Pub. No. **WO/2015/011665**
International Application No. **PCT/IB2014/063356**
Publication Date **29.01.2015**
International Filing Date **23.07.2014**
IPC **C25C 3/14 (2006.01), C25C 3/20 (2006.01)**
Applicants
Inventors
Priority Data
Title **(EN) INTELLIGENT ALUMINUM ELECTROLYSE DRILLING SYSTEM AND METHOD(FR) SYSTÈME ET PROCÉDÉ INTELLIGENTS DE PERÇAGE PAR ÉLECTROLYSE D'ALUMINIUM**

Abstract

(EN)The present invention discloses an intelligent aluminum electrolysis drilling system and method for intelligently controlling the lowering and raising of at least one pike during the crust perforation of the aluminum electrolysis process in order to stop the lowering and start the raising of the pike as soon as it touches the electrolyte, thus, considerably reducing the energy required for the drilling process.(FR)La présente invention concerne un système et un procédé intelligents de perçage par électrolyse d'aluminium, qui permettent de commander de façon intelligente la descente et la montée d'au moins une pointe pendant la perforation de croûte du processus d'électrolyse d'aluminium, afin d'arrêter la descente et de commencer la montée de la pointe aussitôt que celle-ci touche l'électrolyte, ce qui permet de réduire considérablement l'énergie requise pour le processus de perçage.

Designated States

AE, AG, AL, AM, AO, AT, AU, AZ, BA, BB, BG, BH, BN, BR, BW, BY, BZ, CA, CH, CL, CN, CO, CR, CU, CZ, DE, DK, DM, DO, DZ, EC, EE, EG, ES, FI, GB, GD, GE, GH, GM, GT, HN, HR, HU, ID, IL, IN, IR, IS, JP, KE, KG, KN, KP, KR, KZ, LA, LC, LK, LR, LS, LT, LU, LY, MA, MD, ME, MG, MK, MN, MW, MX, MY, MZ, NA, NG, NI, NO, NZ, OM, PA, PE, PG, PH, PL, PT, QA, RO, RS, RU, RW, SA, SC, SD, SE, SG, SK, SL, SM, ST, SV, SY, TH, TJ, TM, TN, TR, TT, TZ, UA, UG, US, UZ, VC, VN, ZA, ZM, ZW.African Regional Intellectual Property Organization (BW, GH, GM, KE, LR, LS, MW, MZ, NA, RW, SD, SL, SZ, TZ, UG, ZM, ZW)Eurasian Patent Organization (AM, AZ, BY, KG, KZ, RU, TJ, TM)European Patent Office (AL, AT, BE, BG, CH, CY, CZ, DE, DK, EE, ES, FI, FR, GB, GR, HR, HU, IE, IS, IT, LT, LU, LV, MC, MK, MT, NL, NO, PL, PT, RO, RS, SE, SI, SK, SM, TR)African Intellectual Property Organization (BF, BJ, CF, CG, CI, CM, GA, GN, GQ, GW, KM, ML, MR, NE, SN, TD, TG).

Publication Language

English (EN)

Filing Language

English (EN)